



**INDOOR**

**!** Before starting to assemble the tt-table and before using it for the first time please read the assembly instructions and the information for the user very carefully. They contain important advices for safety when using the table. Please keep the instructions for your information, for maintenance and for ordering spare parts as long as you use the tt-table.

- ★ At least **two adults** have to participate in the assembly of the tt-table which should be carried out on a clean and soft floor.
- ★ Before commencing the assembly ,check all the parts according to the Parts List and make sure that are all present and correct.
- ★ Please follow the ABC references for the order of the assembly.
- ★ If these is a **text mark** ,please read the explanation on page 10.
- ★ If these in a **part mark**,please read the information relating to it in the Parts List on page 11.
- ★ Please use the tools as indicated for each of the assembly stages.



— Text mark

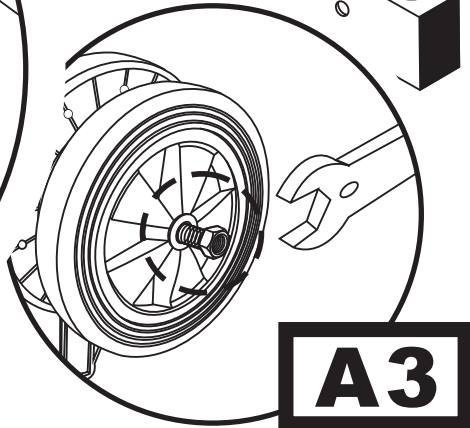
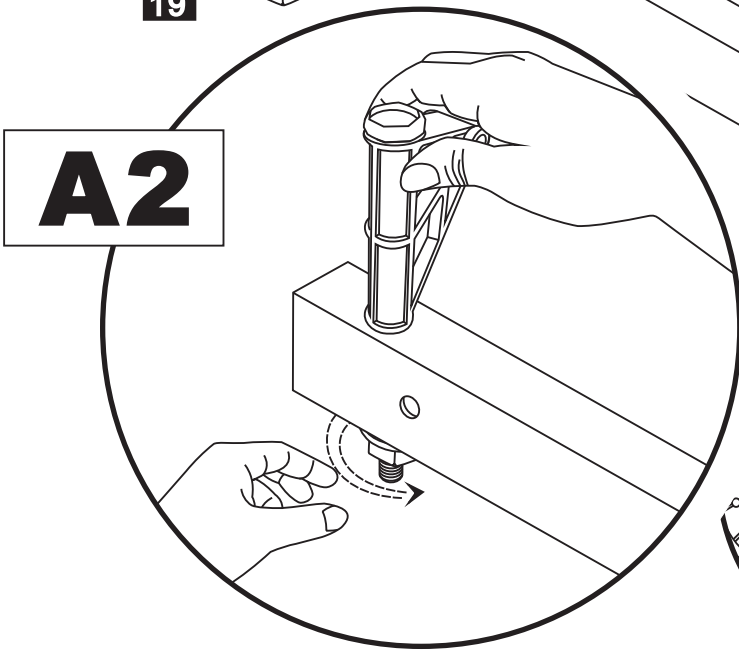
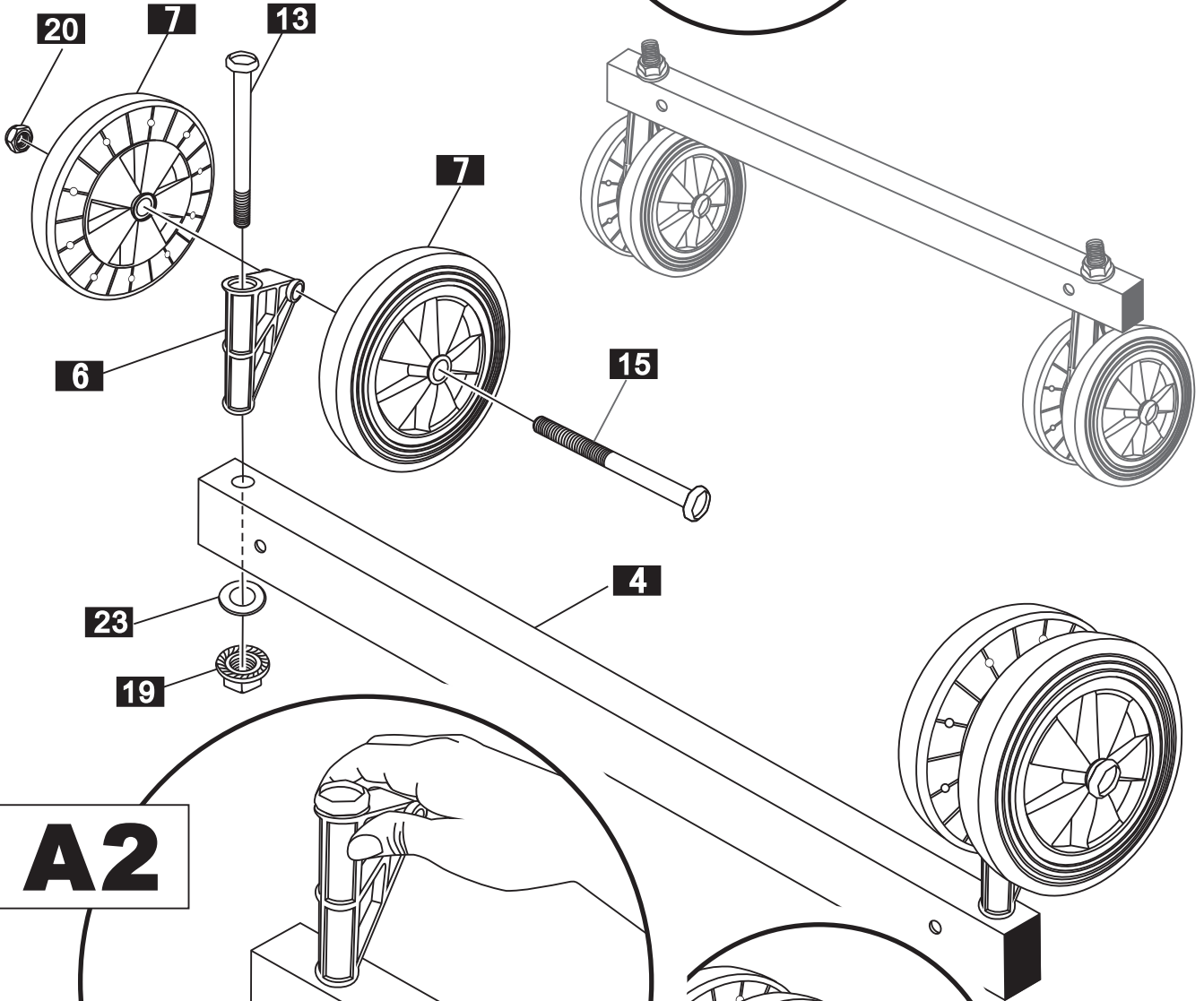
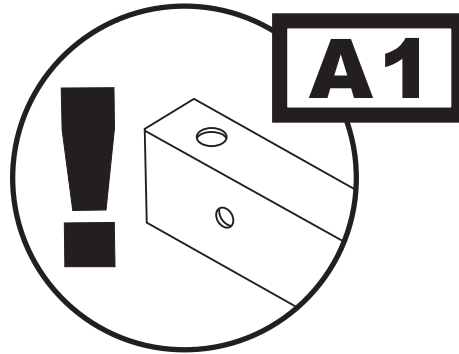
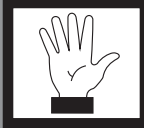
**13**

— Part mark



— Tool

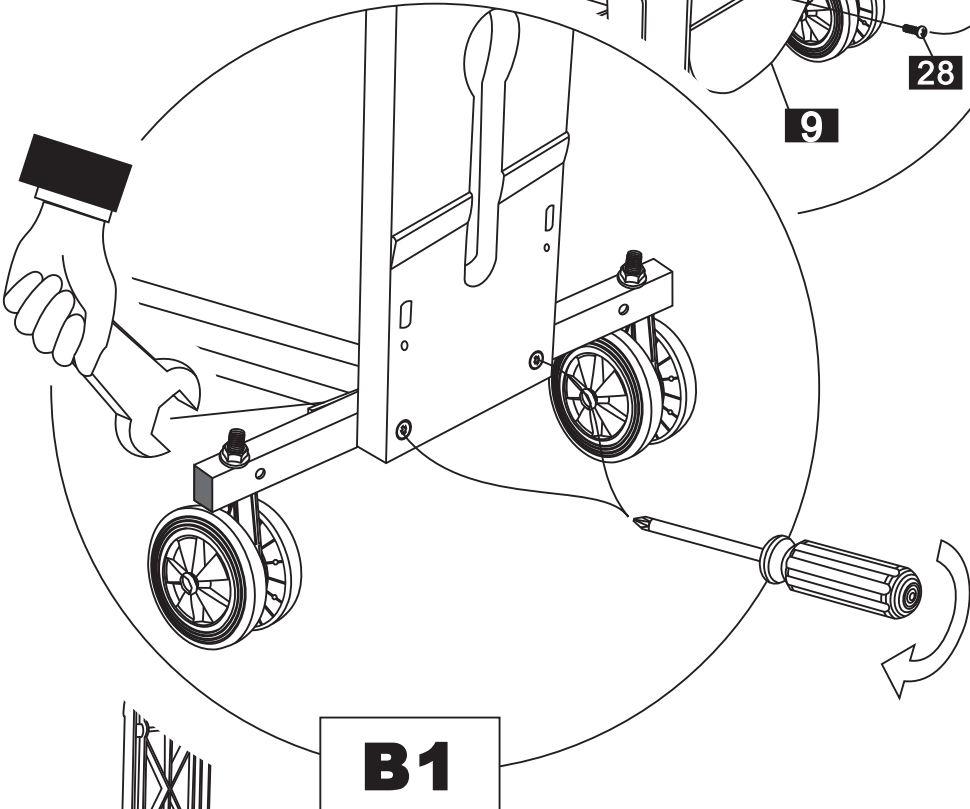
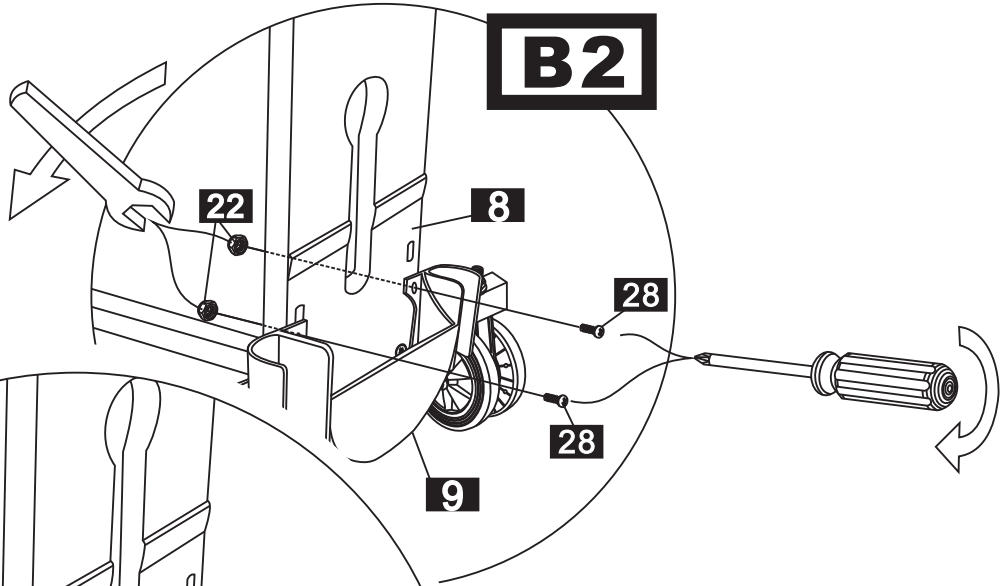
# A



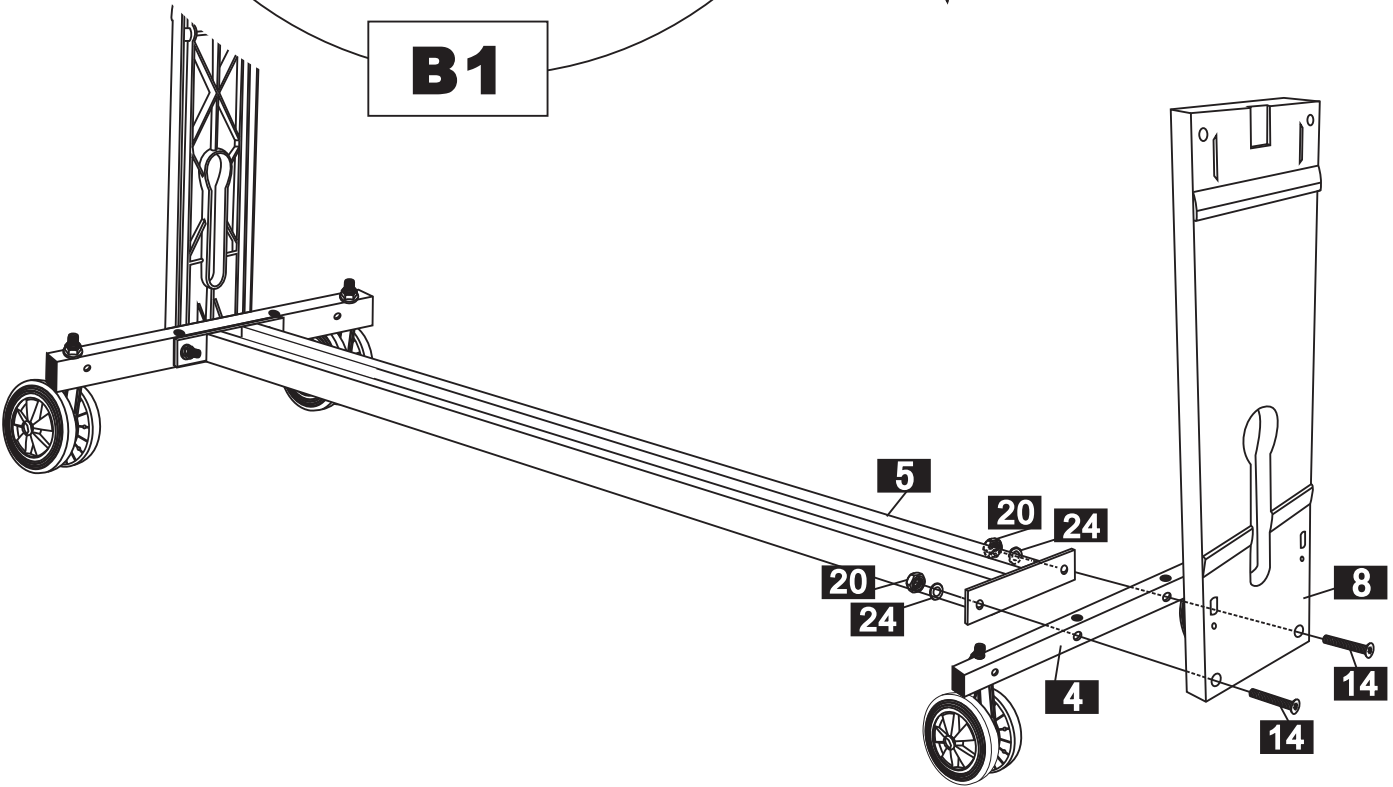
# B



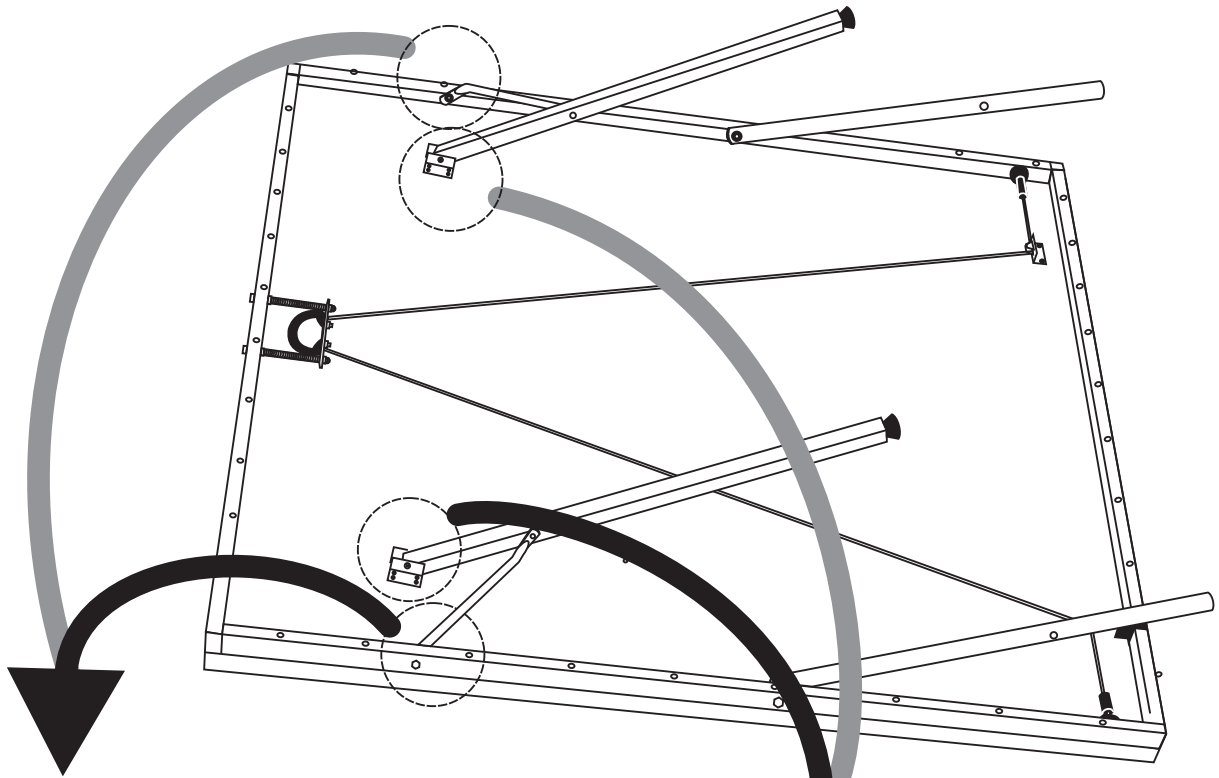
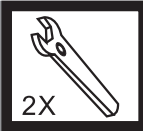
## B2



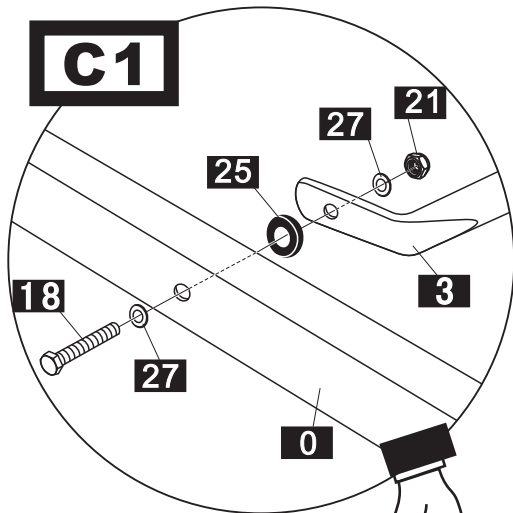
## B1



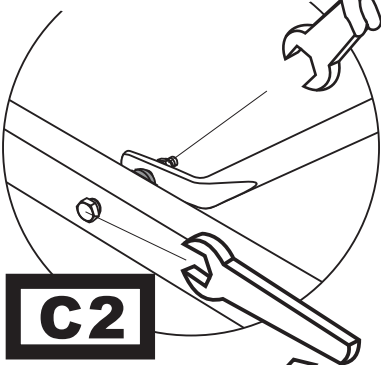
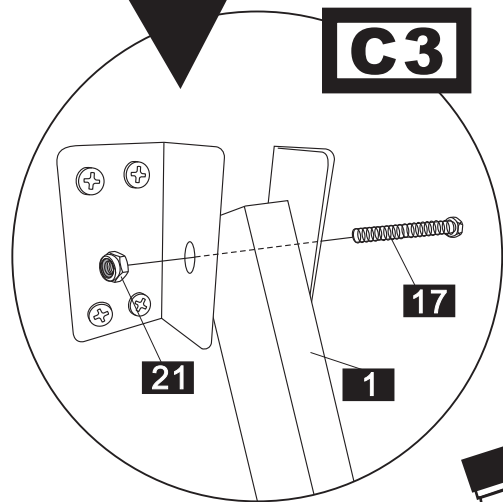
**C**



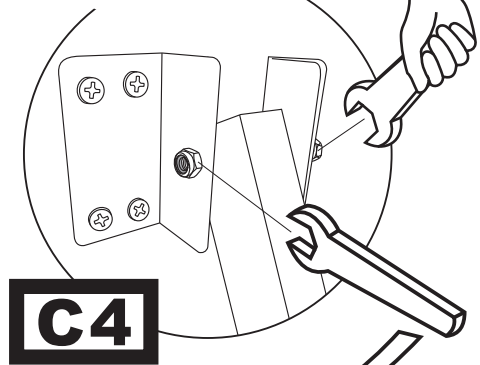
**C1**



**C3**

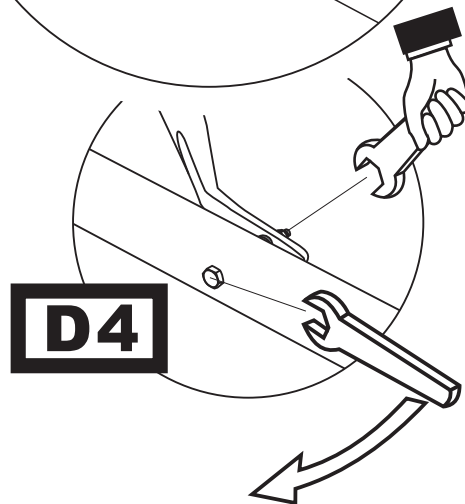
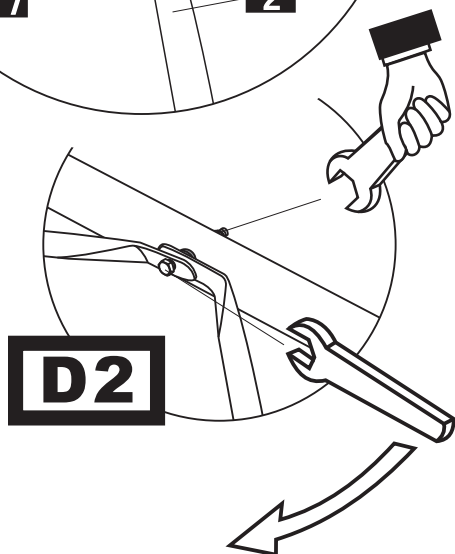
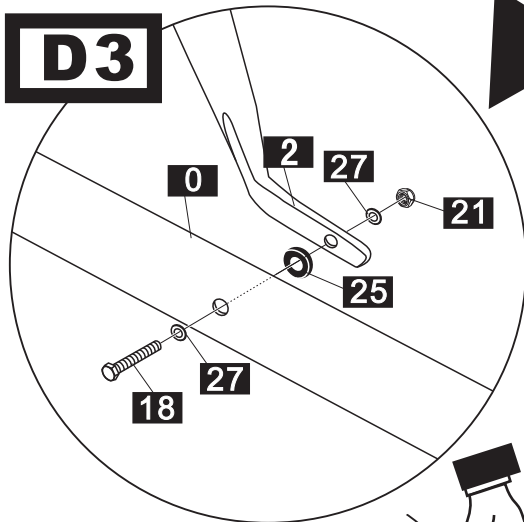
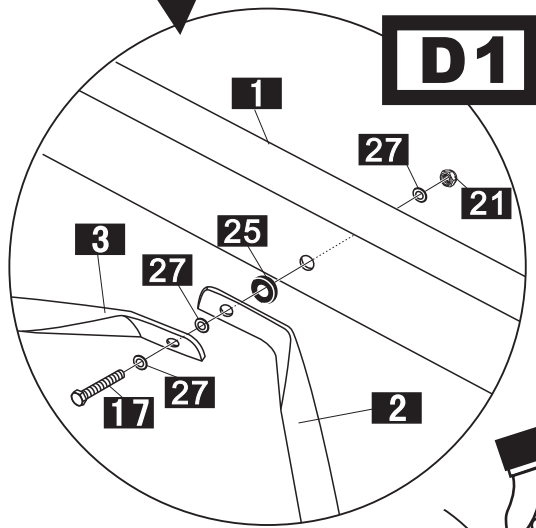
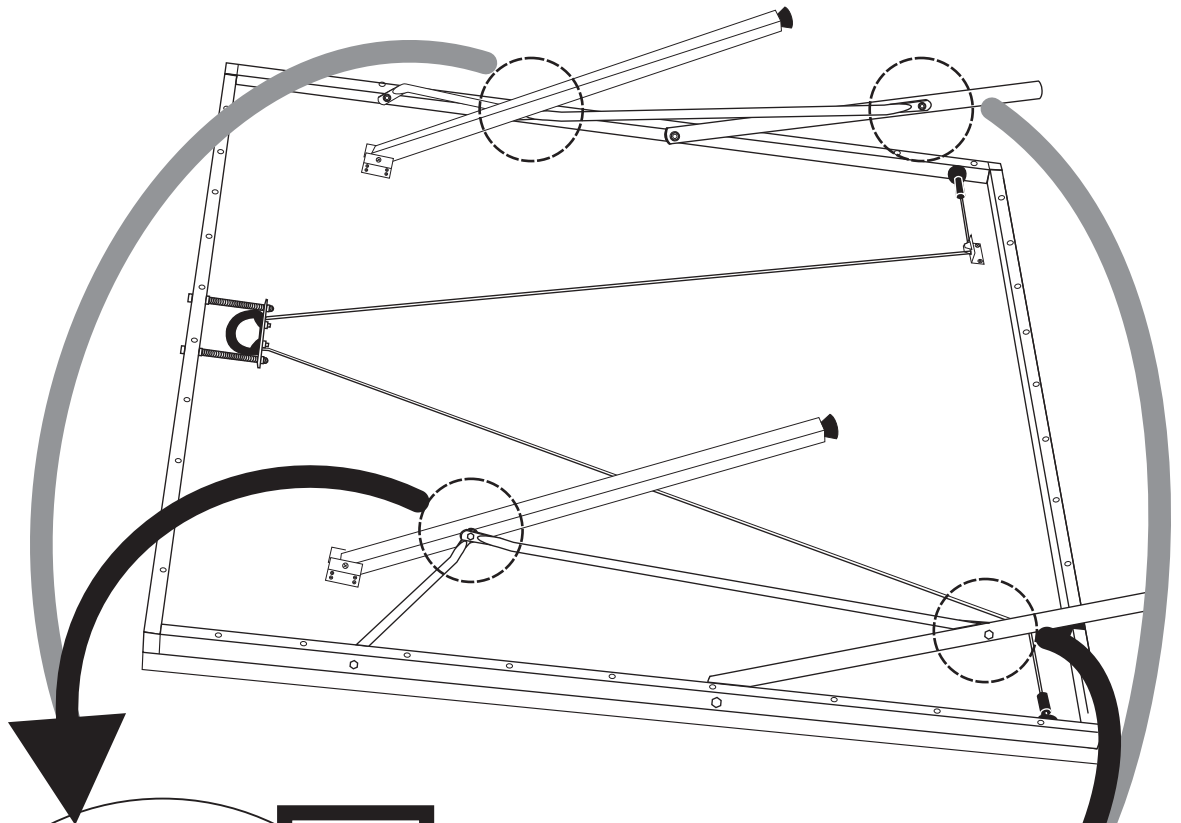
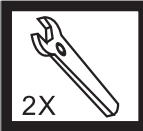


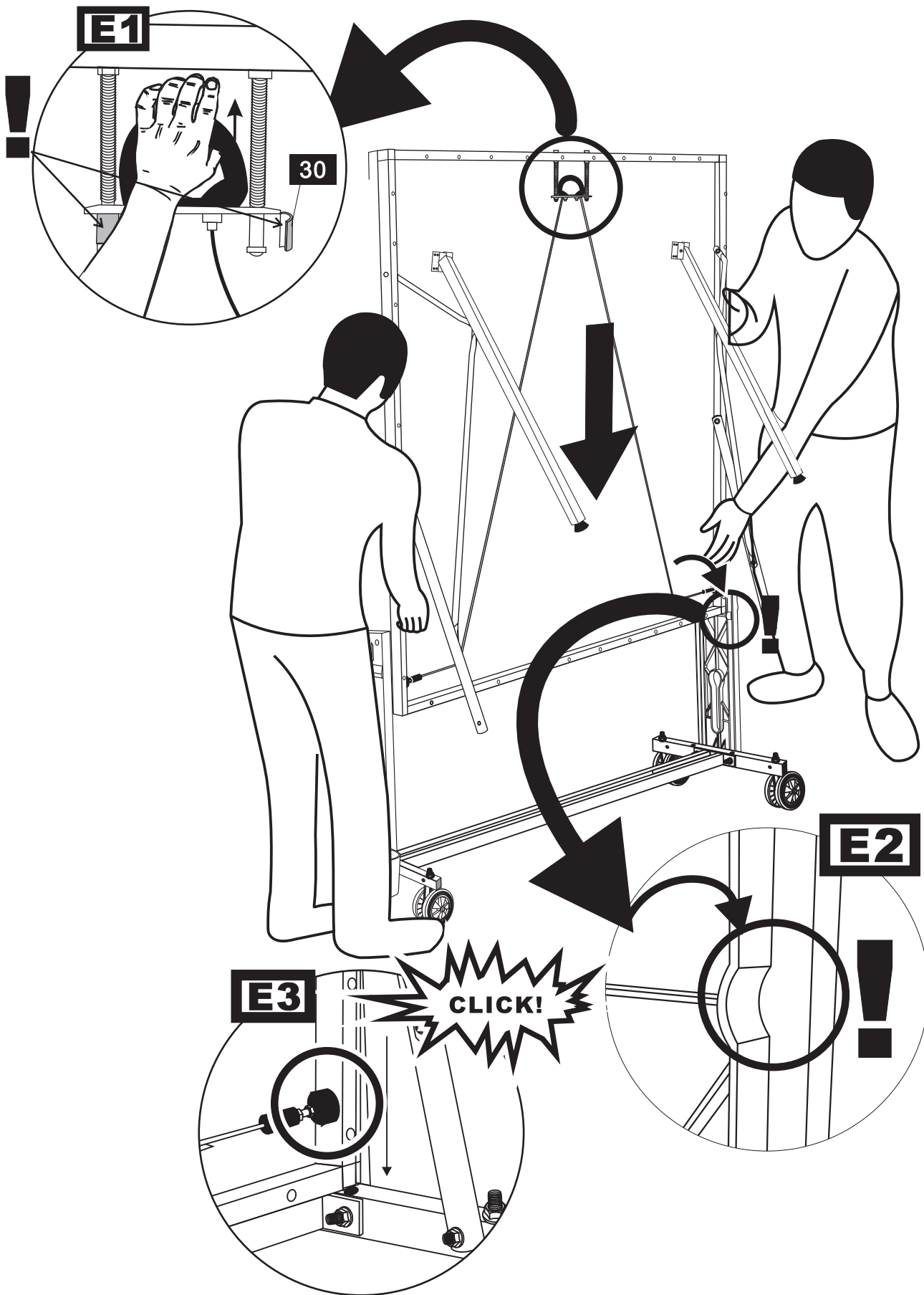
**C2**



**C4**

**D**





**E1**

30

**E2**

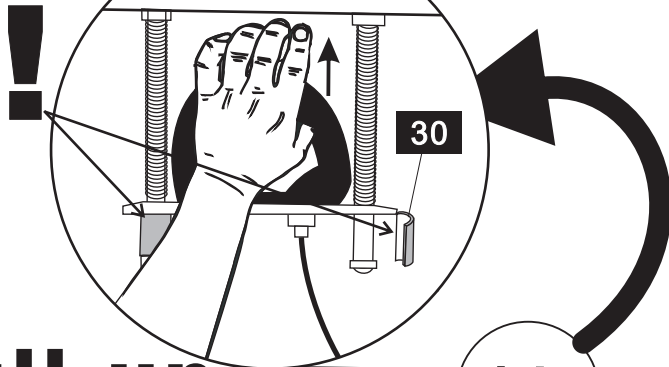
**E3**

**CLICK!**

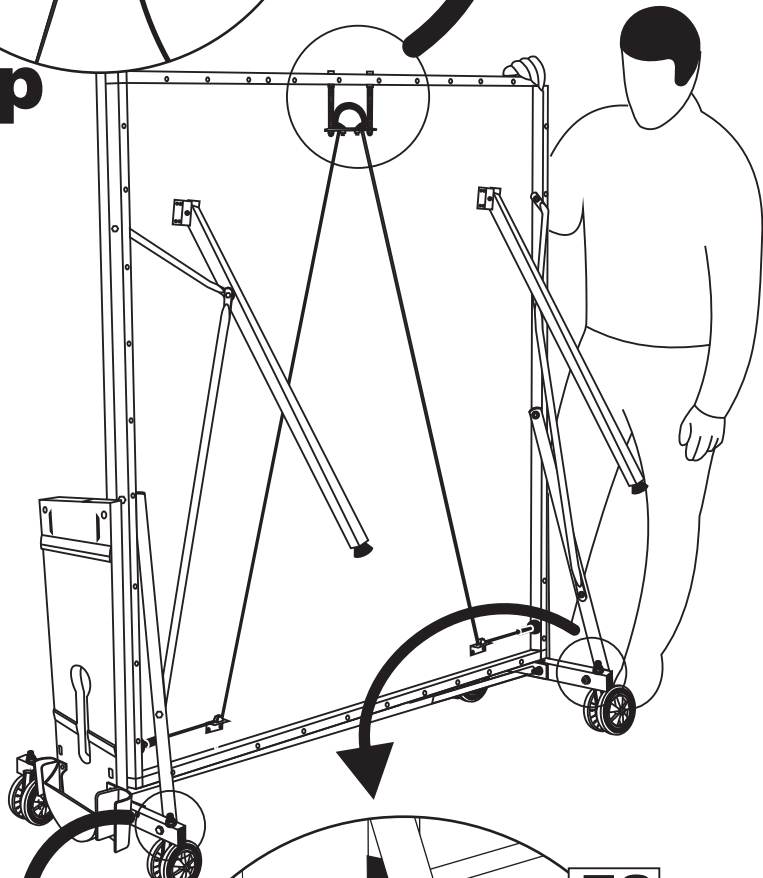
**F**



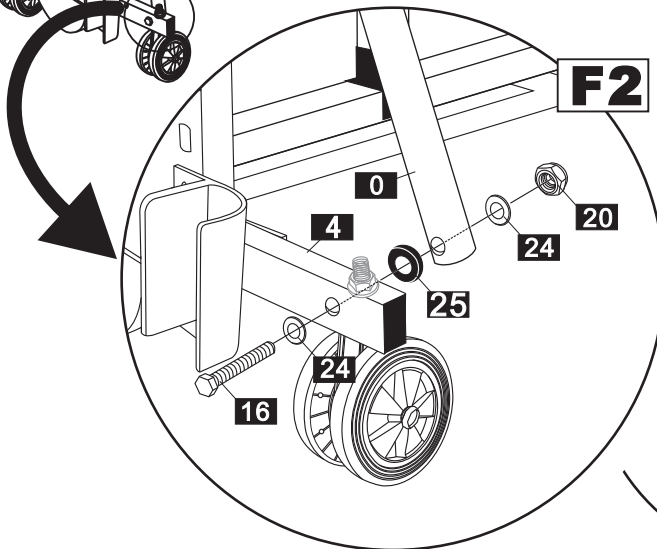
**F1**



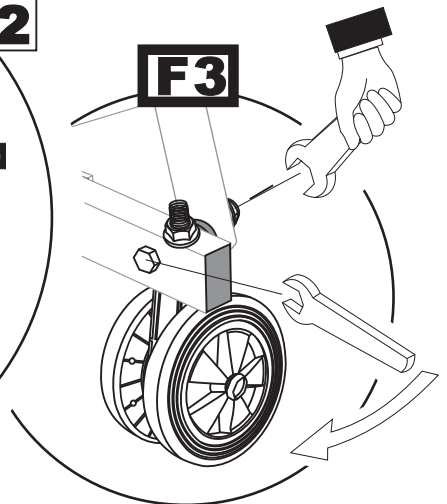
**Pull up**



**F2**



**F3**

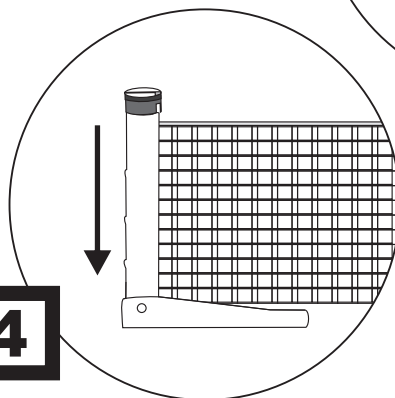
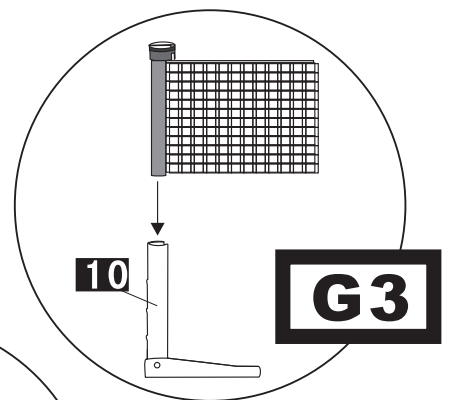
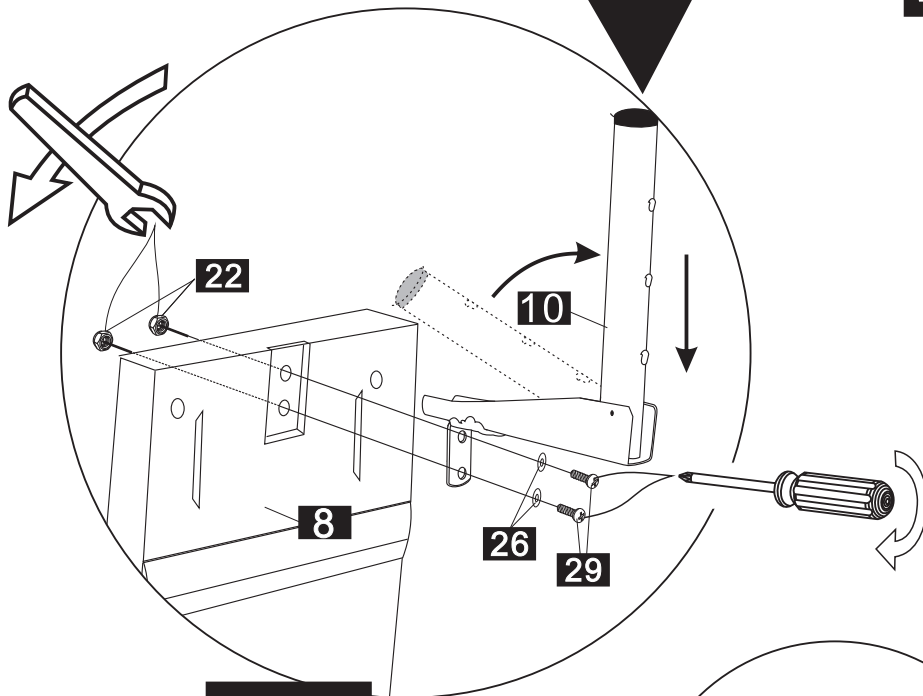
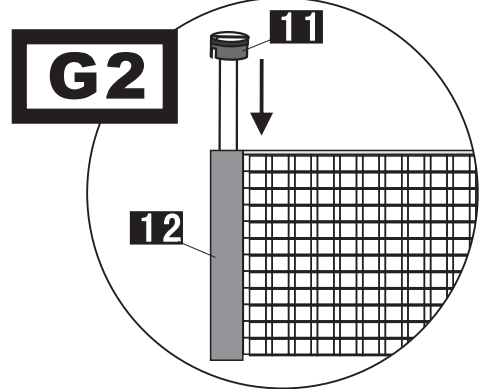
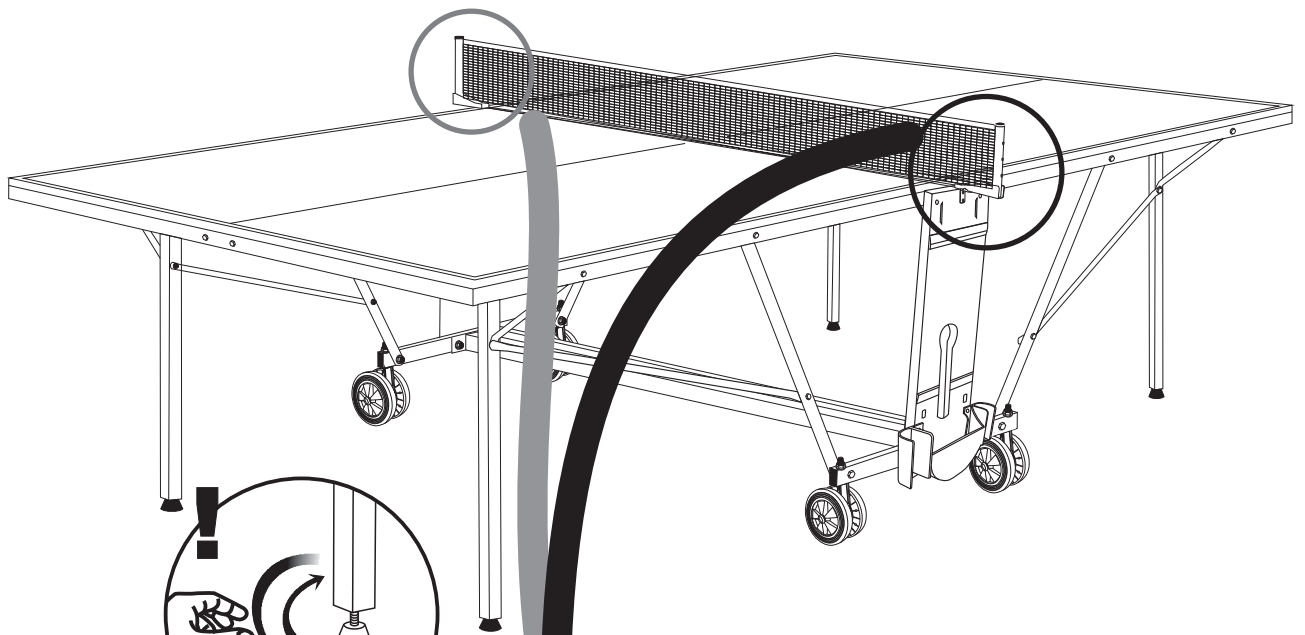
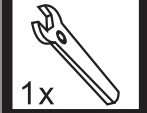


# G

1x



1x



## Test marks for the assembly



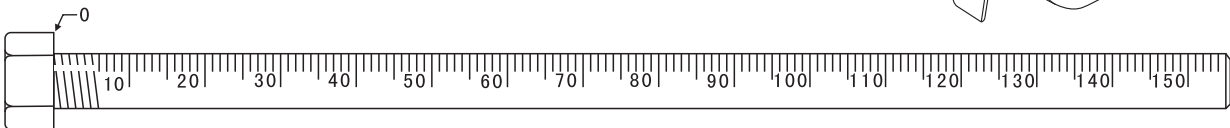
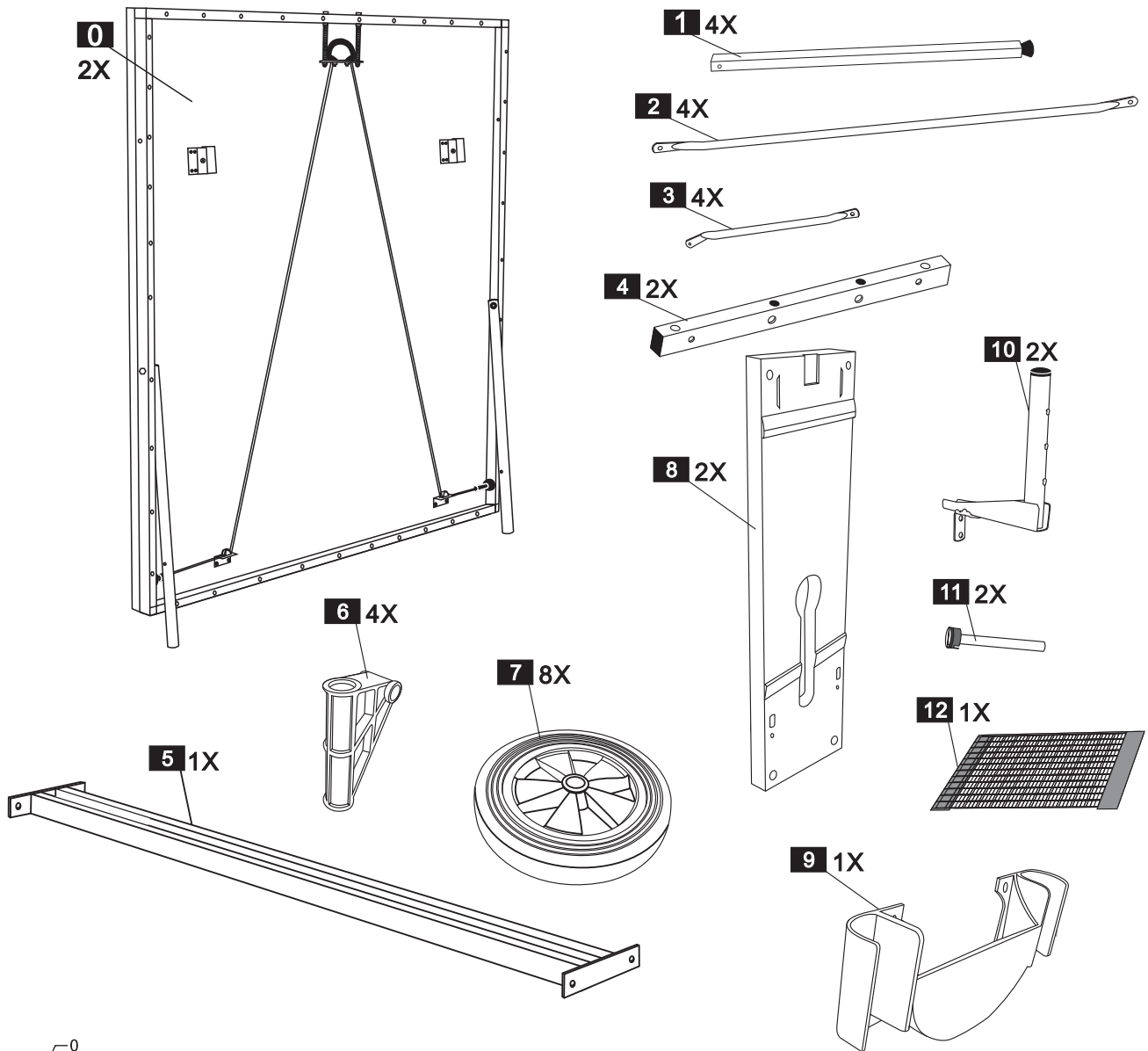
Please repeat these assembly steps with the second half top.



Go back to step “**c**” and assemble the second table top.



Please check all the working parts of the table in accordance with the Instructions for use (**page 11**) after you have completed assembly .If applicable please take care when removing the coating from the playing surface.



<b>13</b> 4X M12X140	<b>14</b> 4X M8X60	<b>15</b> 4X M8X85	<b>16</b> 4X M8X60	<b>17</b> 8X M6X50	<b>18</b> 8X M6X40
<b>19</b> 4X M12	<b>20</b> 12X M8	<b>21</b> 16X M6	<b>22</b> 6X M5	<b>23</b> 4X R=12	<b>24</b> 12X R=8
<b>25</b> 16X	<b>26</b> 4X R=5	<b>27</b> 28X R=6	<b>28</b> 2X M5X15	<b>29</b> 4X M5X25	<b>30</b> 2X